

Proxim Corporation

VoIP over Broadband Wireless Access Networks

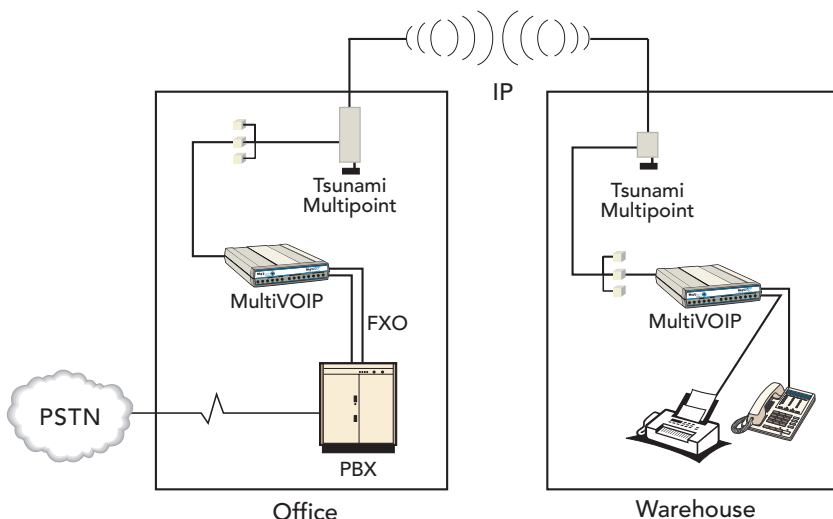
Multi-Tech brings affordable Voice over IP to Proxim broadband wireless access networks. Multi-Tech's MultiVOIP Voice over IP gateways extend the reach of a company's PBX between buildings or across campuses without the cost of installing another PBX or utilizing expensive T1 lines. With MultiVOIP, you simply leverage existing phone equipment to route voice calls over a wireless data network.

Proxim's Tsunami Multipoint enables users to easily, quickly, and economically install a wireless LAN extension between three to hundreds of locations – eliminating the need for costly leased line, cable or DSL alternatives. And, because it is wireless and license-exempt, you can get connected immediately. Integrating Tsunami Multipoint with MultiVOIP Voice over IP gateways provides companies with the ability to send both their voice and data over the wireless connection to maximize investments and minimize costs.

MultiVOIP connects directly to phones, fax machines, key systems, or a PBX and plugs into the IP data network to provide real-time, toll-quality voice connections to any remote office. Similar to the Tsunami Multipoint wireless system, it is a point-to-multipoint solution (one gateway is required at each location). It merges voice from the telephone onto the IP network and then utilizes another MultiVOIP gateway, at the remote end, to separate the voice from the data network and send it back to the PBX, telephone, or fax machine.

“At up to 60Mbps capacity between locations, the Tsunami Multipoint wireless system provides plenty of bandwidth to pass both voice connections and LAN data packets,” explains Jeff Orr, Product Marketing and Business Development Manager at Proxim. “In addition, the Tsunami Multipoint's support for ‘priority queuing’ prioritizes IP voice traffic to help preserve voice quality even when the network traffic over the wireless connection is heavy.”

Best of all, the easy installation and operation of both systems allows network planners to quickly deploy the solution. And, with MultiVOIP there is no user training required. Users simply dial an extension number to reach a remote office.



MultiVOIP and Tsunami™ Multipoint

Solution Benefits:

- Eliminates the cost of installing remote PBXs
- Fast payback
- Quick deployment

Solution Components:

- MultiVOIP Voice over IP gateways at each location
- Tsunami Multipoint Base Station Unit (BSU)
- One or more Tsunami Multipoint Subscriber Units (SU)



“ Our priority queuing support prioritizes IP voice traffic to help preserve voice quality even when the network traffic over our wireless connection is heavy. ”

- Jeff Orr, Product Marketing and Business Development Manager at Proxim Corporation

Multi-Tech MultiVOIP

Multi-Tech's MultiVOIP Voice over IP gateways bridge the voice network to the data network to provide toll-bypass long distance calling over the Internet or private WAN. MultiVOIP operates alongside a company's PBX and analog phone systems to extend voice and PBX functionality to remote locations. With MultiVOIP, you will avoid the hassle and expense of replacing existing routers, WAN connections or phone systems required by other VOIP solutions.

MultiVOIP Features:

- Flexible 1-, 2-, 4-, and 8-port analog models and 24-port digital solution
- Award-winning business quality voice connections (supports DiffServ)
- Minimal bandwidth requirements (14K bps per call including IP overhead)
- Utilizes H.323 and SIP protocols for complete interoperability
- No disruption to existing voice equipment
- No additional hardware needed
- Transparent to the user (no training required)
- PSTN fail-over automatically routes calls over the PSTN if the IP network is congested or down
- Supports H.450 supplementary services to provide for call transfer, call forwarding, call hold, call waiting, and name identification
- Web based configuration and management
- 2-year warranty

Model No.	Description
MVP130	1-Port VOIP gateway
MVP210	2-Port VOIP gateway
MVP410	4-Port VOIP gateway
MVP810	8-Port VOIP gateway
MVP2410	24/48-Port T1/PRI VOIP gateway

Proxim Tsunami™ Multipoint

Tsunami Multipoint is a point-to-multipoint outdoor wireless system offering a high-capacity, reliable alternative to wired data networks. Using IP packet radio transmitters, standard Ethernet interfaces, and an easy-to-deploy design, the Tsunami Multipoint system enables high-speed network connections to multiple Ethernet switches, routers or PCs from a single location. The systems consist of one or more Subscriber Units (SU) that communicate with a Base Station Unit (BSU).

Tsunami Multipoint Features:

- Capacities from 20Mbps – 60Mbps
- 5.8 GHz license-exempt frequency band
- Patented Active Interference Rejection technology
- Base Station Unit provides 60° sector – co-locate up to six for 360° coverage
- Point-to-multipoint communications from less than 1 mile/kilometer to 6 miles/10 kilometers
- Quick install includes audible alignment for subscriber units
- VoIP priority queuing support



About Proxim Corporation

Proxim Corporation is a global leader in wireless networking equipment for Wi-Fi and wide area networks.



The company is providing its enterprise and service provider customers with wireless solutions for public hot spots, voice and data backhaul, enterprise campuses, security and surveillance, last mile access and mobile professionals.

For more information contact Proxim directly at:

Tel: 800-229-1630

Fax: 408-731-3675

www.proxim.com

About Multi-Tech

An ISO 9001:2000 certified global manufacturer of award winning Internet, remote access, and telephony products, Multi-Tech Systems provides end-to-end solutions for small- to medium-sized businesses. Multi-Tech holds over 60 patents in voice and data technologies and has deployed thousands of MultiVOIP gateways since 1999.

Multi-Tech Systems

Tel: 800-328-9717 or (763) 785-3500

www.multitech.com