



US00D394864S

United States Patent [19]

[11] Patent Number: **Des. 394,864**

Brandt

[45] Date of Patent: ****Jun. 2, 1998**

[54] **PERIPHERAL CONNECTOR**

[75] Inventor: **Dean Brandt**, Minneapolis, Minn.

[73] Assignee: **Multi-Tech Systems, Inc.**, Mounds View, Minn.

[**] Term: **14 Years**

[21] Appl. No.: **59,393**

[22] Filed: **Sep. 10, 1996**

[51] **LOC (6) Cl.** **14-03**

[52] **U.S. Cl.** **D14/256; D13/146**

[58] **Field of Search** D14/240, 140,
D14/256, 242, 100, 107, 114; 379/441,
440, 442; D13/146, 147, 151, 133; 439/638,
676, 59, 76.1, 535, 607

[56] **References Cited**

U.S. PATENT DOCUMENTS

D. 364,377	11/1995	Johnson et al.	D13/146
D. 366,878	2/1996	Wakabayashi et al.	D14/242
4,790,761	12/1988	Sonobe	439/59
4,878,484	11/1989	Ingalsbe	439/676 X
4,968,260	11/1990	Ingalsbe	439/616 X
5,391,094	2/1995	Kakinoki et al.	439/638
5,417,583	5/1995	Ishizaki et al.	D13/147 X
5,442,170	8/1995	Kreft et al.	439/638 X

OTHER PUBLICATIONS

"New Worldport PCMCIA Modem Connects Your Notebook to other Modems & Fax Machines Worldwide" advertisement, dated prior to Sep. 10, 1996.

"Megahertz" advertisement, PCWEEK, p. 11, dated Jun. 6, 1994.

"Data Comm Warehouse catalog", U.S. Robotics, p. 33, dated prior to Sep. 10, 1996.

Primary Examiner—Jeffrey Asch
Attorney, Agent, or Firm—Schwegman, Lundberg, Woessner & Kluth, P.A.

[57] **CLAIM**

The ornamental design for a "peripheral connector," as shown and described.

DESCRIPTION

FIG. 1 is a perspective view of a peripheral connector showing my new design;

FIG. 2 is a front elevational view of the peripheral connector of FIG. 1;

FIG. 3 is a rear elevational view of the peripheral connector of FIG. 1;

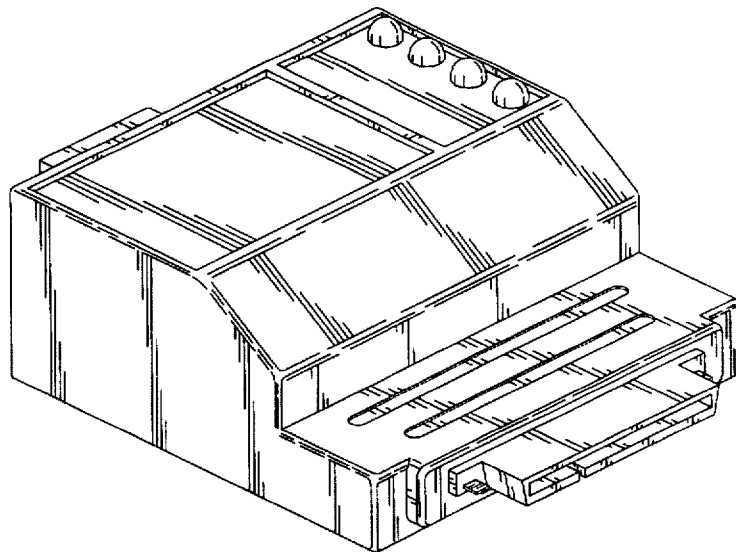
FIG. 4 is a right elevational view of the peripheral connector of FIG. 1;

FIG. 5 is a left side elevational view of the peripheral connector of FIG. 1;

FIG. 6 is a top plan view of the peripheral connector of FIG. 1; and,

FIG. 7 is a bottom plan view of the peripheral connector of FIG. 1.

1 Claim, 3 Drawing Sheets



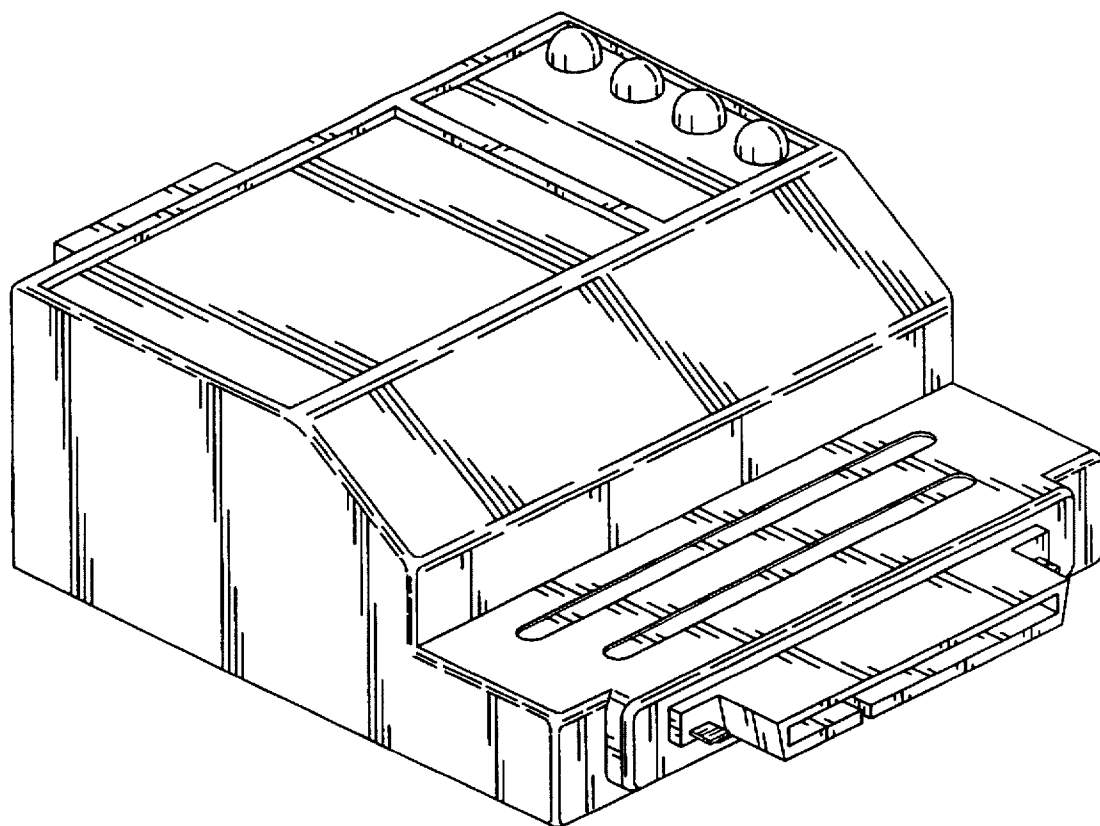


FIG. 1

FIG. 2

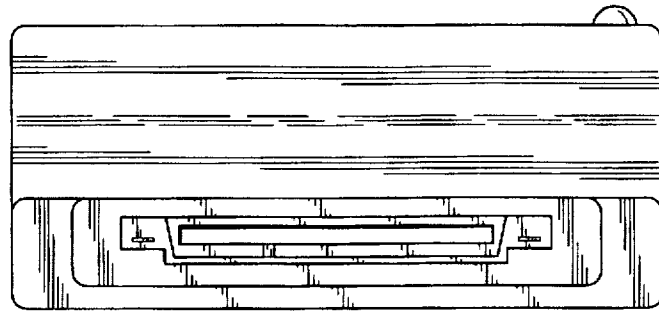


FIG. 3

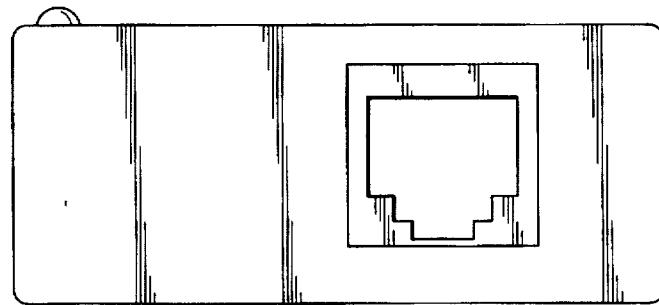


FIG. 4

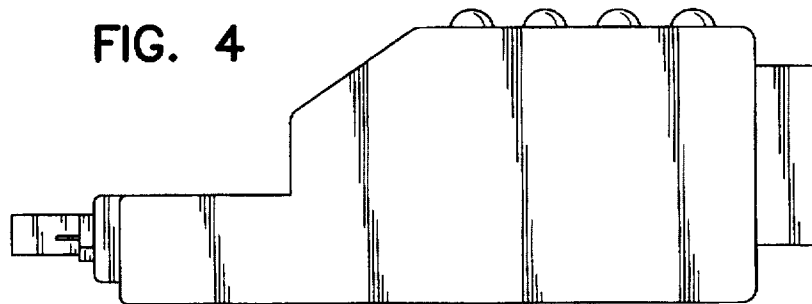
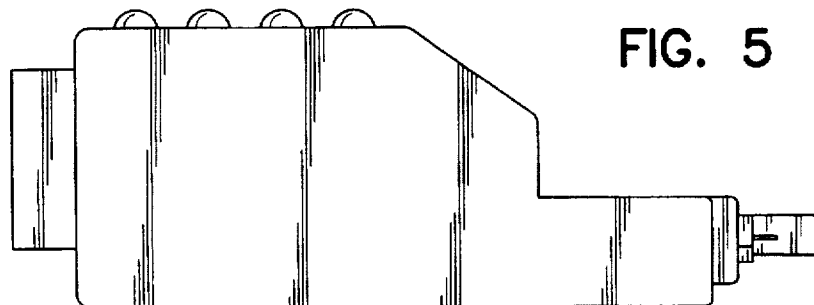


FIG. 5



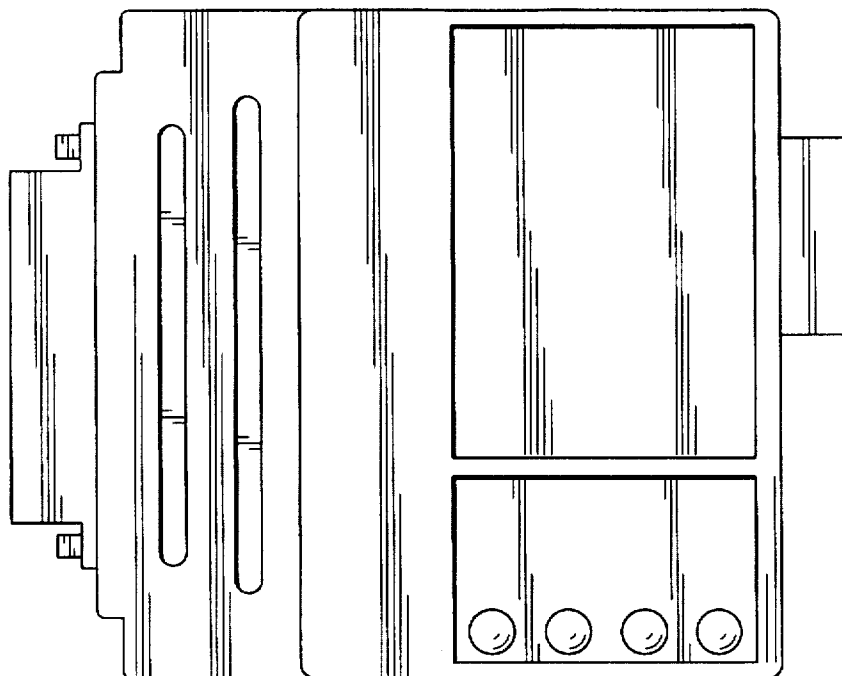


FIG. 6

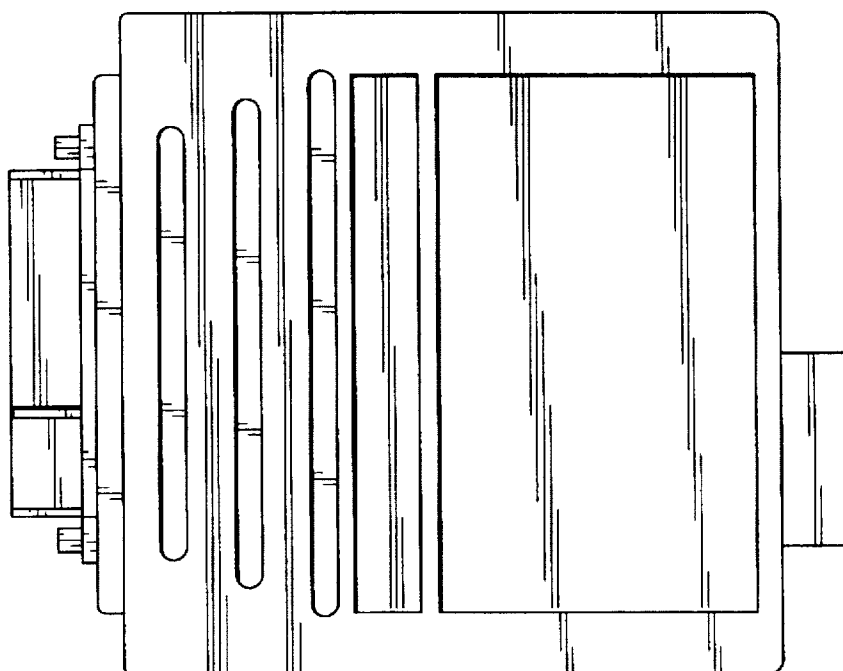


FIG. 7