

Product Documentation

Use cases, application notes, and documentation for related products such as Conduit gateway and the LoRa accessory card are available on the MultiTech developer site at: www.multitech.net/

For the mDot Developer Guide go to:
www.multitech.net/developer/products/multiconnect-mdot

The mDot ships from the factory pre-loaded with our custom AT Command Firmware. For more information go to:
<https://developer.mbed.org/platforms/MTS-mDot-F411/#factory-firmware>

Safety and Regulatory Content

For safety and regulatory content, refer to the mDot Developer Guide.

Using the mbed Platform

The mbed platform provides free software libraries, hardware designs and online tools for professional rapid prototyping of products based on ARM microcontrollers.

The platform includes a standards-based C/C++ SDK, a microcontroller HDK and supported development boards, an online compiler and online developer collaboration tools.

mbed Links

Explore mbed: <http://developer.mbed.org/explore/> mbed

Getting Started: <http://developer.mbed.org/getting-started/> mbed

Handbook: <http://developer.mbed.org/handbook/Homepage>

mDot mbed Documentation

Visit our mDot mBed page for more information and help getting started with mbed. <https://developer.mbed.org/platforms/MTS-mDot-F411/>

MultiConnect® mDot™ with Micro Developer Kit Quick Start

Document Number: 82101570L Rev 1.0

Copyright and Trademark

This publication may not be reproduced, in whole or in part, without the specific and express prior written permission signed by an executive officer of Multi-Tech Systems, Inc. All rights reserved. Copyright © 2015 by Multi-Tech Systems, Inc.

Multi-Tech Systems, Inc. makes no representations or warranties, whether express, implied or by estoppels, with respect to the content, information, material and recommendations herein and specifically disclaims any implied warranties of merchantability, fitness for any particular purpose and non-infringement. Multi-Tech Systems, Inc. reserves the right to revise this publication without obligation to notify any person or organization of such revisions or changes.

MultiTech, MultiConnect, and the MultiTech logo are registered trademarks of Multi-Tech Systems, Inc. All other brand and product names are trademarks or registered trademarks of their respective companies.

Multi-Tech Systems, Inc

2205 Woodale Drive,
Mounds View, Minnesota 55112 U.S.A.

Phone: 763-785-3500 or 800-328-9717

Fax: 763-785-9874

Support

Support Portal

<https://support.multitech.com>

Europe, Middle East, Africa:

support@multitech.co.uk

+(44) 118 959 7774



Knowledge Base

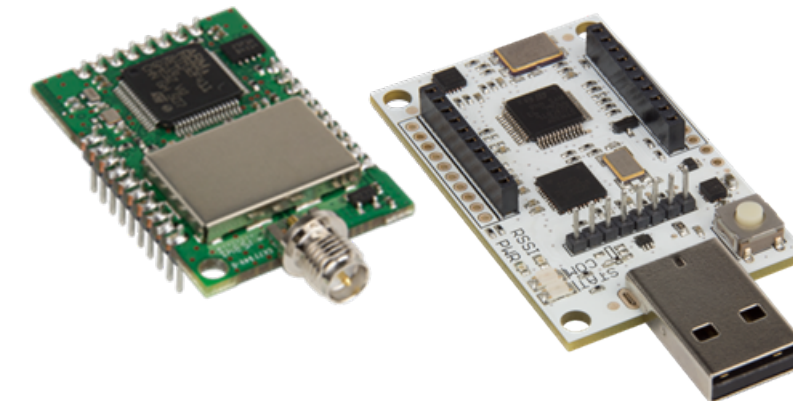
<http://www.multitech.com/kb.go>

U.S., Canada, all others:

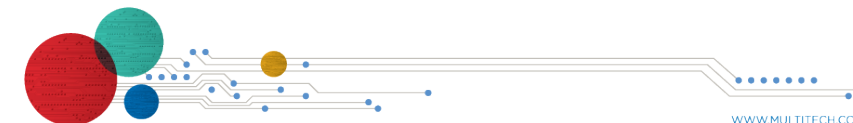
support@multitech.com

(800) 972-2439 or (763) 717-5863

Business Hours: M-F, 8am to 5pm CT



MultiConnect® mDot™ with Micro Developer Kit MTMDK-ST-MDOT Quick Start



Welcome

This Quick Start includes information on the MultiConnect® mDot™ and the Micro Developer Kit.

MultiConnect mDot

The MultiConnect mDot is a secure, programmable, long-range and low-power RF module that provides encrypted data connectivity to sensors, industrial equipment, and remote appliances.

The mDot features an integrated ARM® Cortex® -M4 processor and mbed compatible software library for developers to control, monitor, and bring edge intelligence to their Internet of Things (IoT) applications.

Micro Developer Kit

Designed specifically for mDot development, the Micro DK plugs directly into a USB port on your computer making it easy to use the developer kit for testing, programming, and evaluating your application.

Note: To work with the developer board, you need an X1P mDot model which includes a programming header.

Developer Kit Package Contents

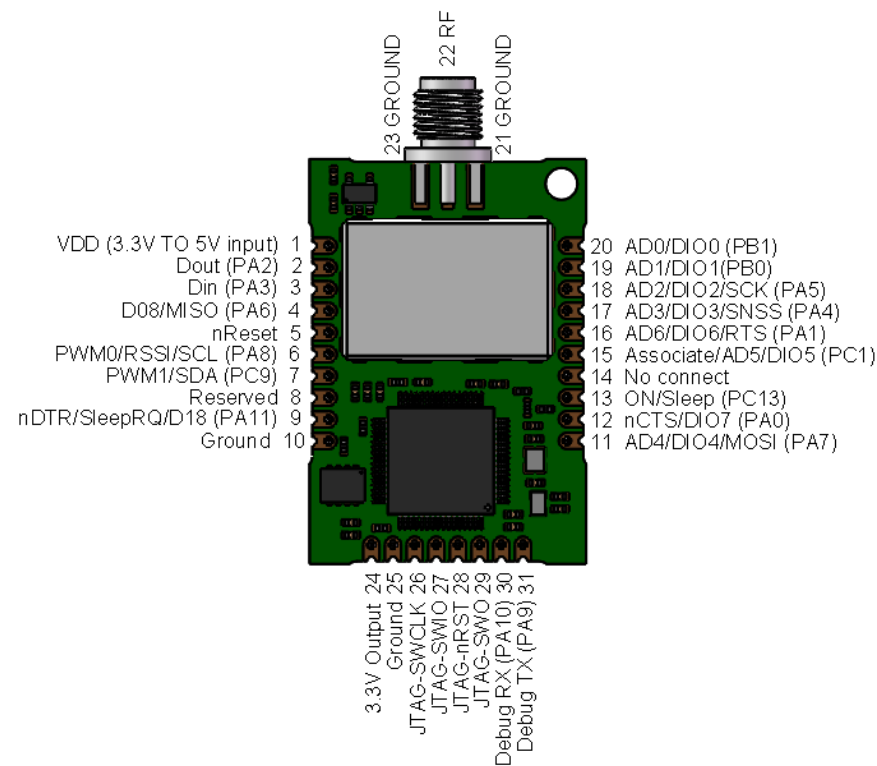
Your Developer Kit (MTMDK-ST-MDOT) includes the following:

Developer Board	1 - MTMDK mDot Developer Board
Antenna	1 - 868-945 MHz LoRa Antenna
Customer Notices	This Quick Start

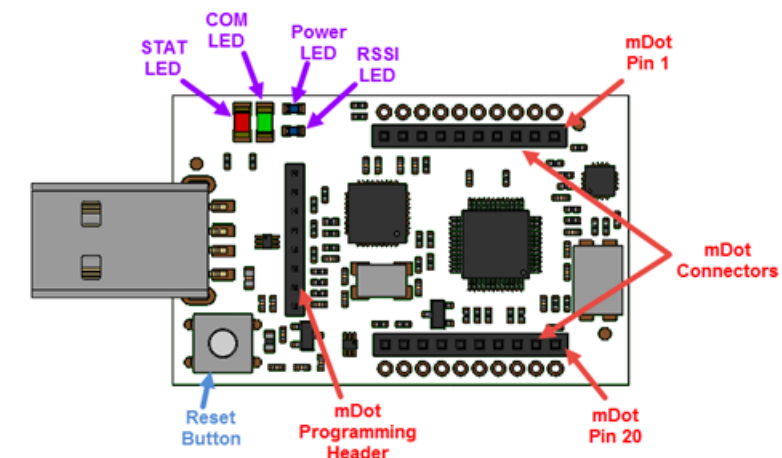
Update your developer board ST-LINK/V2 firmware through the mDot mbed page at

<https://developer.mbed.org/platforms/MTS-mDot-F411/#general-technical-references>

mDot Pinout

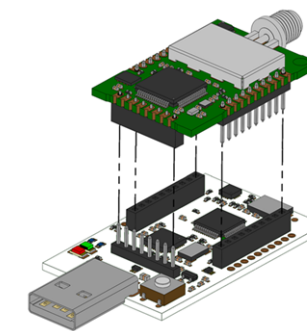


Developer Board Components



Note: The Reset Button resets the mDot processor.

Mounting an mDot (MTDOT) on the Micro DK



To install an mDot:

1. Align the mDot on the developer board as shown.
2. Gently press the mDot into the connectors.